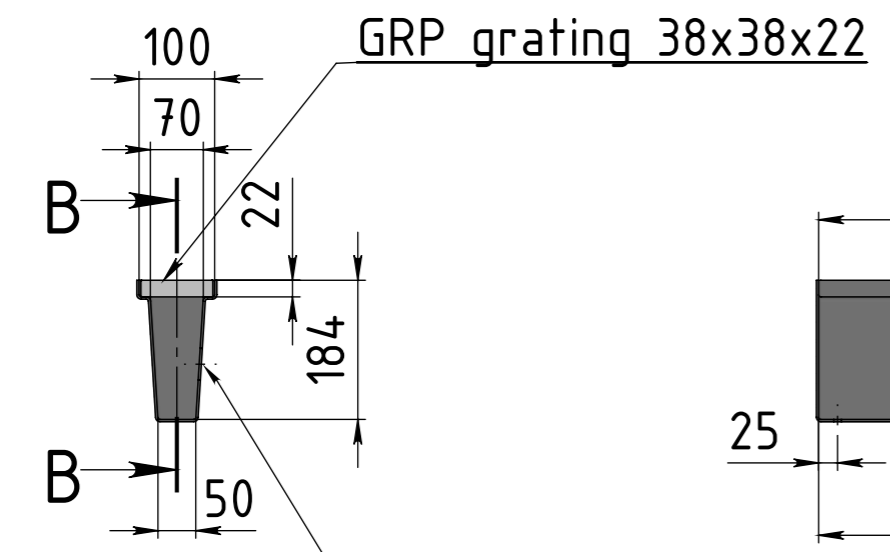
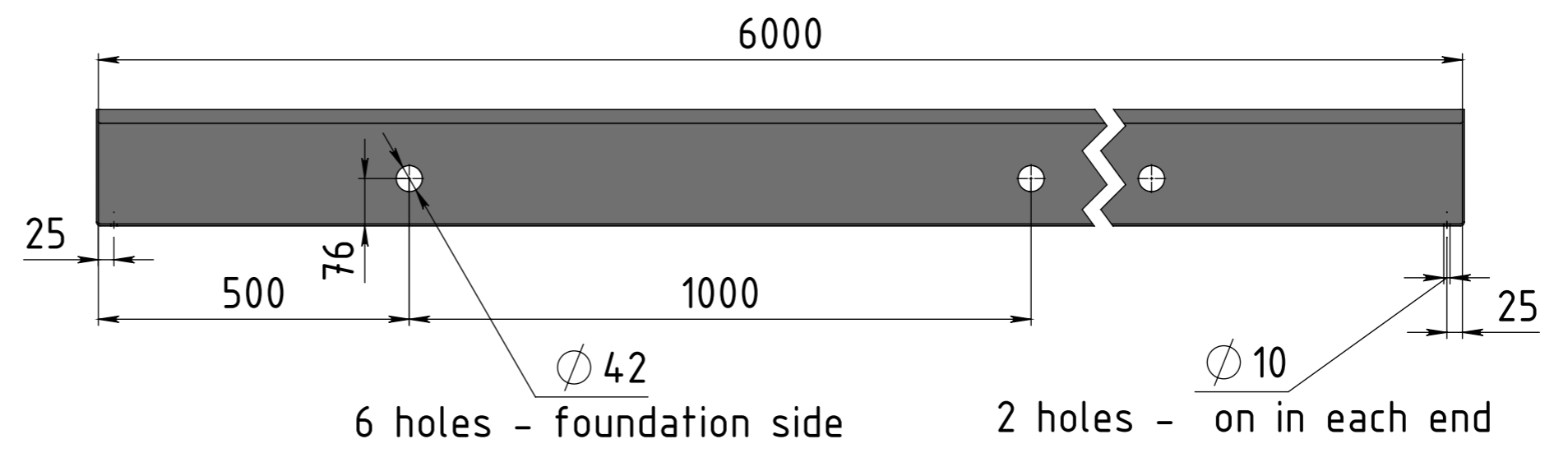


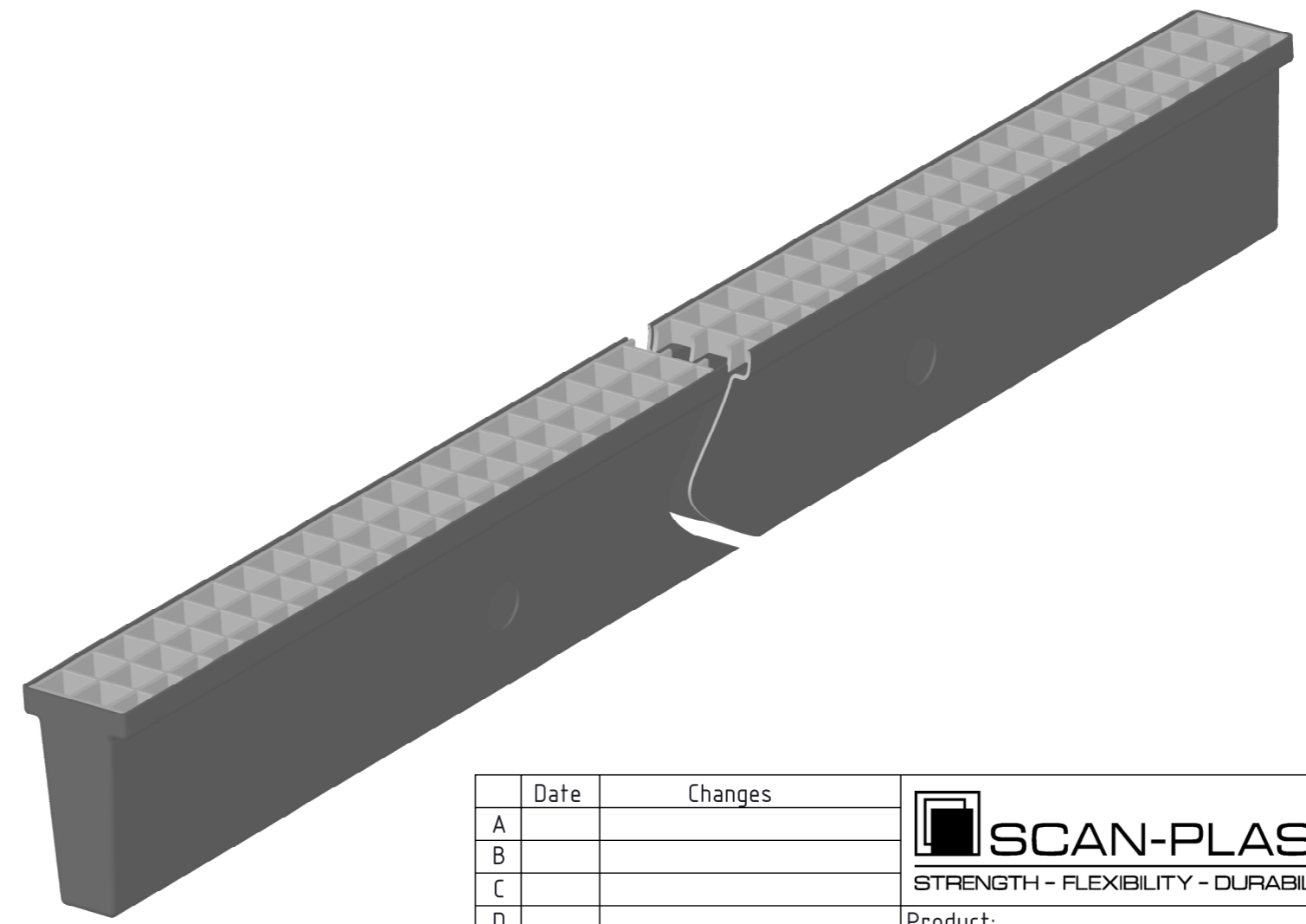
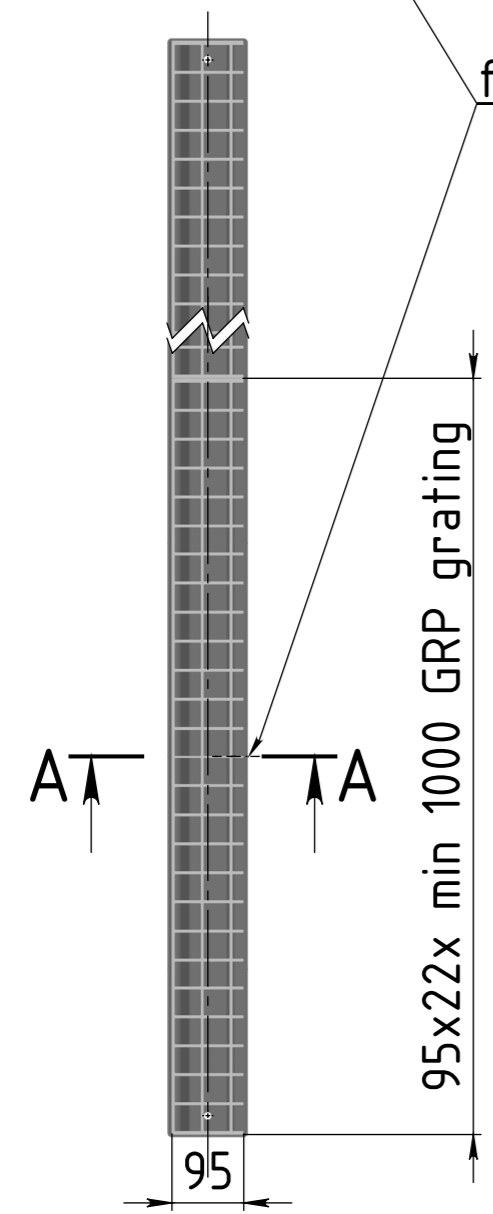
A-A




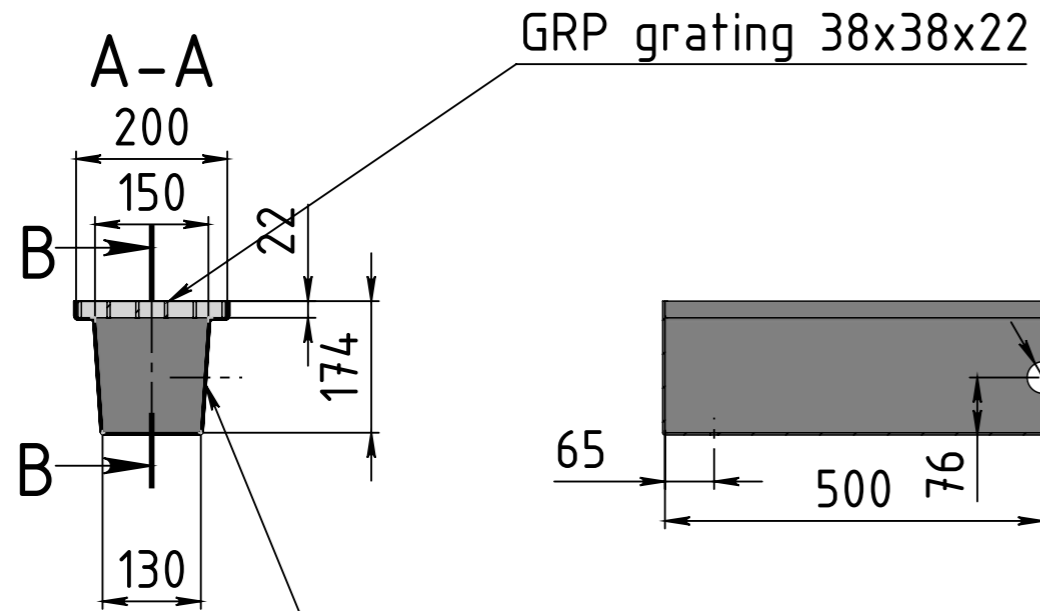
B-B



foundation side

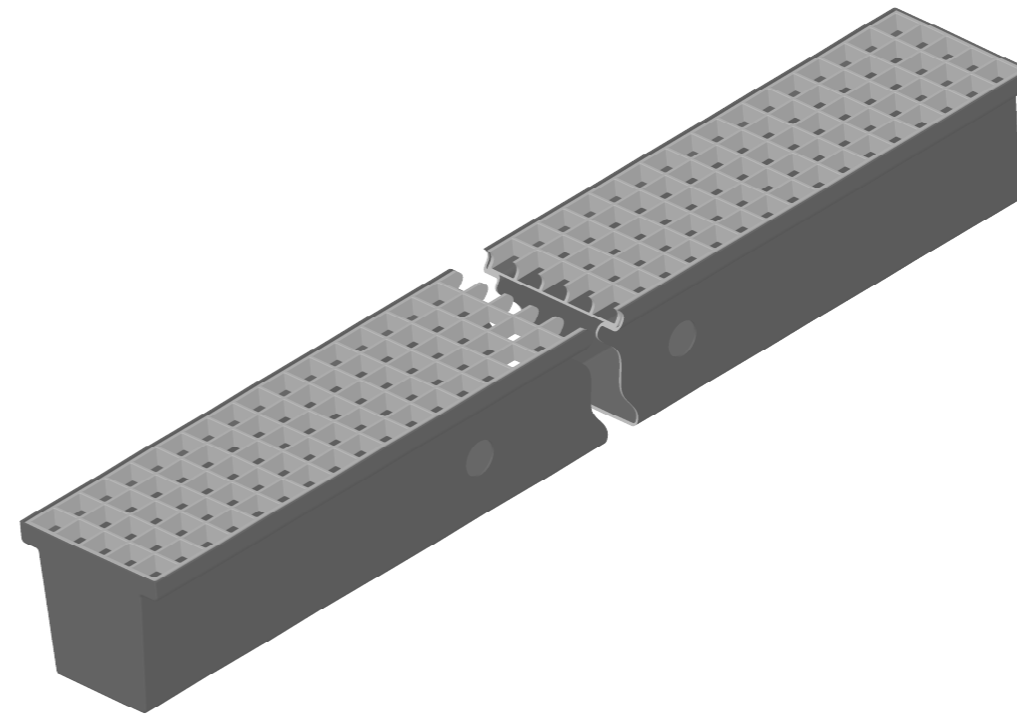
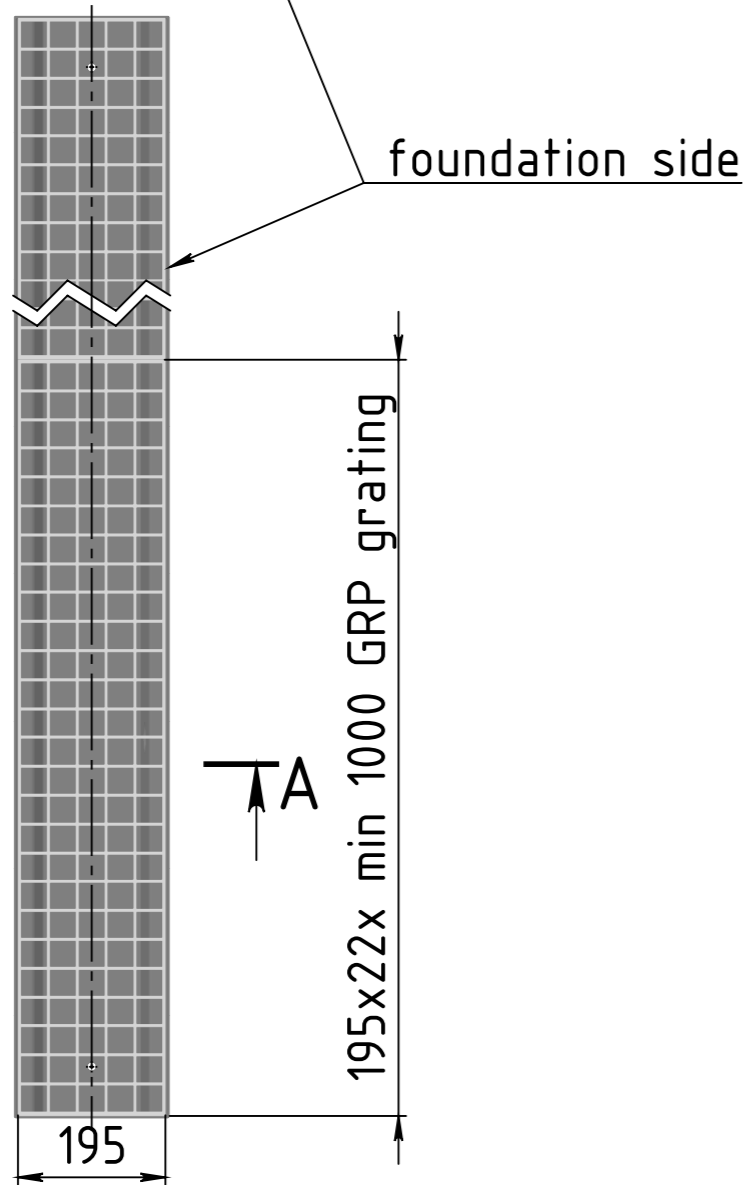
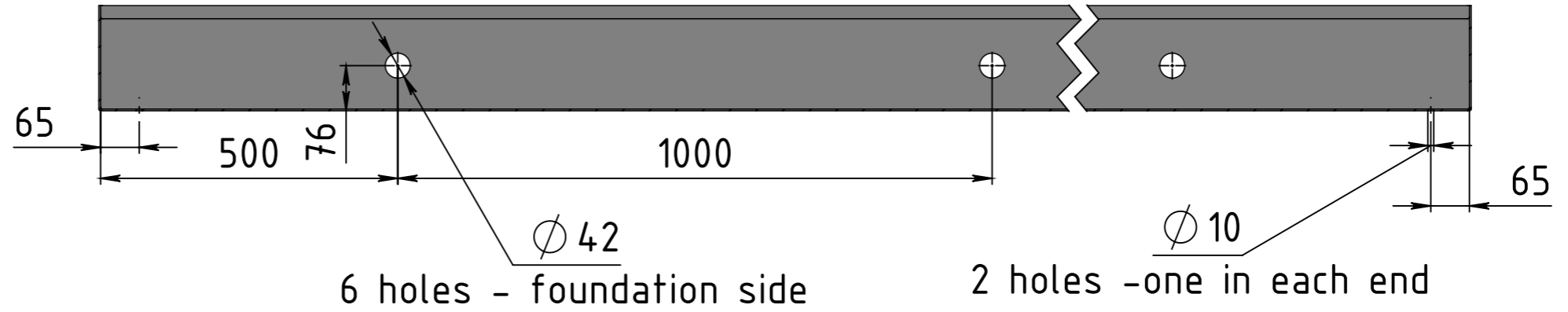


| Date | Changes |  SCAN-PLAST STRENGTH - FLEXIBILITY - DURABILITY | Scale | Date | Sign. | |
|------|---------|--|--|-----------|----------------|------------|
| A | | | Product: Foundation ventilation channel small 100x190x6000 | 1:10 | Draw. | 14.01.2025 |
| B | | Check. | | | | |
| C | | Appr. | | | | |
| D | | | | Replace: | | |
| E | | | | Nº | W102.2-17-500E | Page 1 |
| F | | | | Order Nr: | | Pages 1 |
| G | | | | | | |




GRP grating 38x38x22

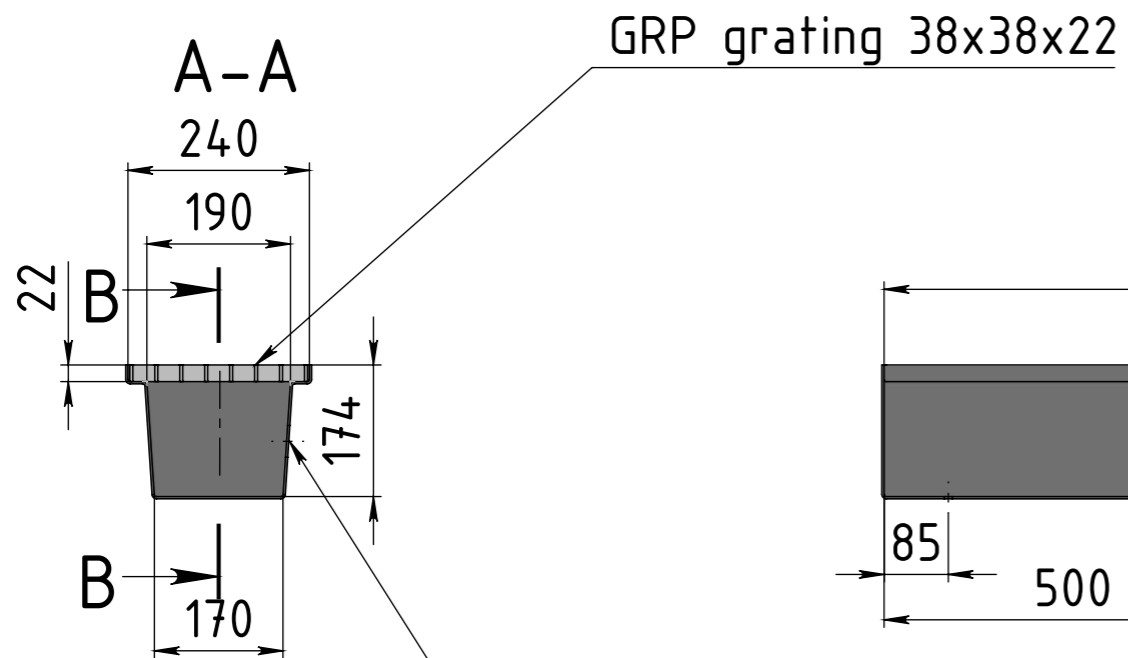
B-B



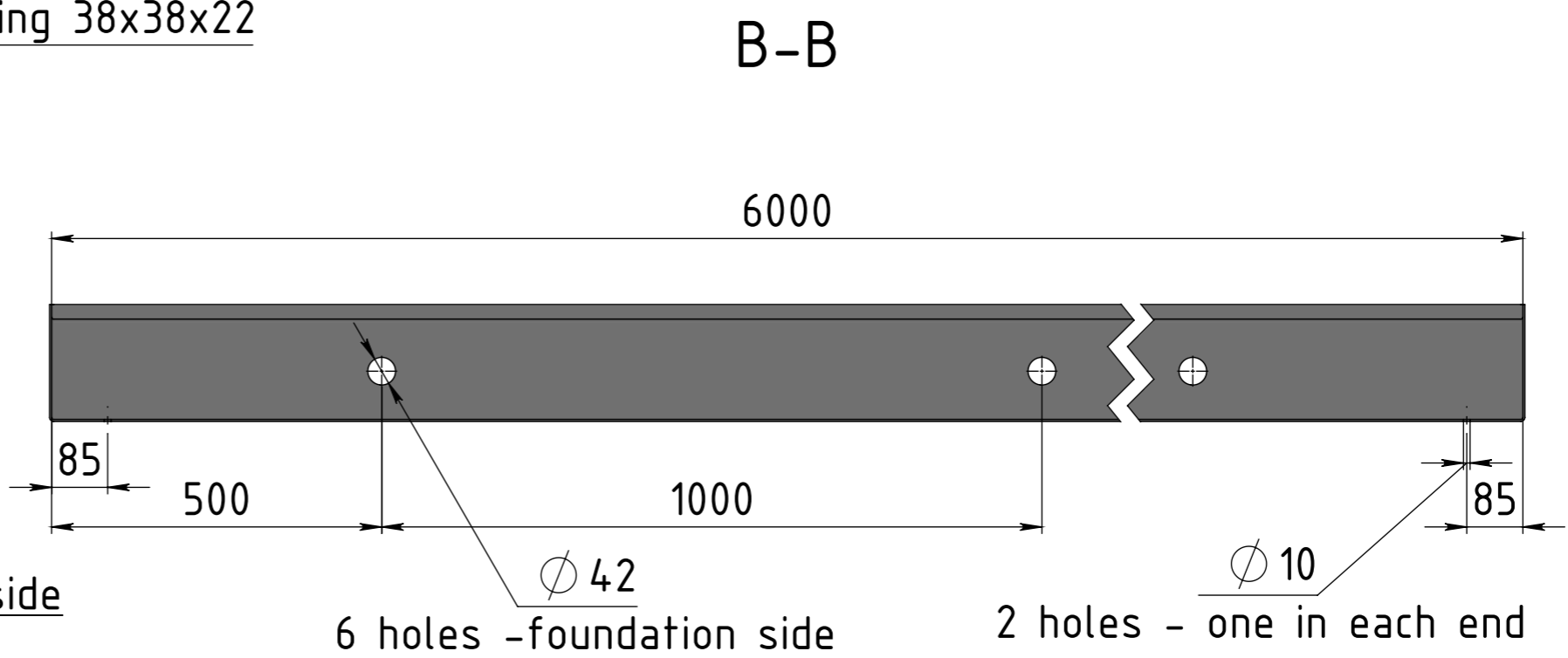
A

A

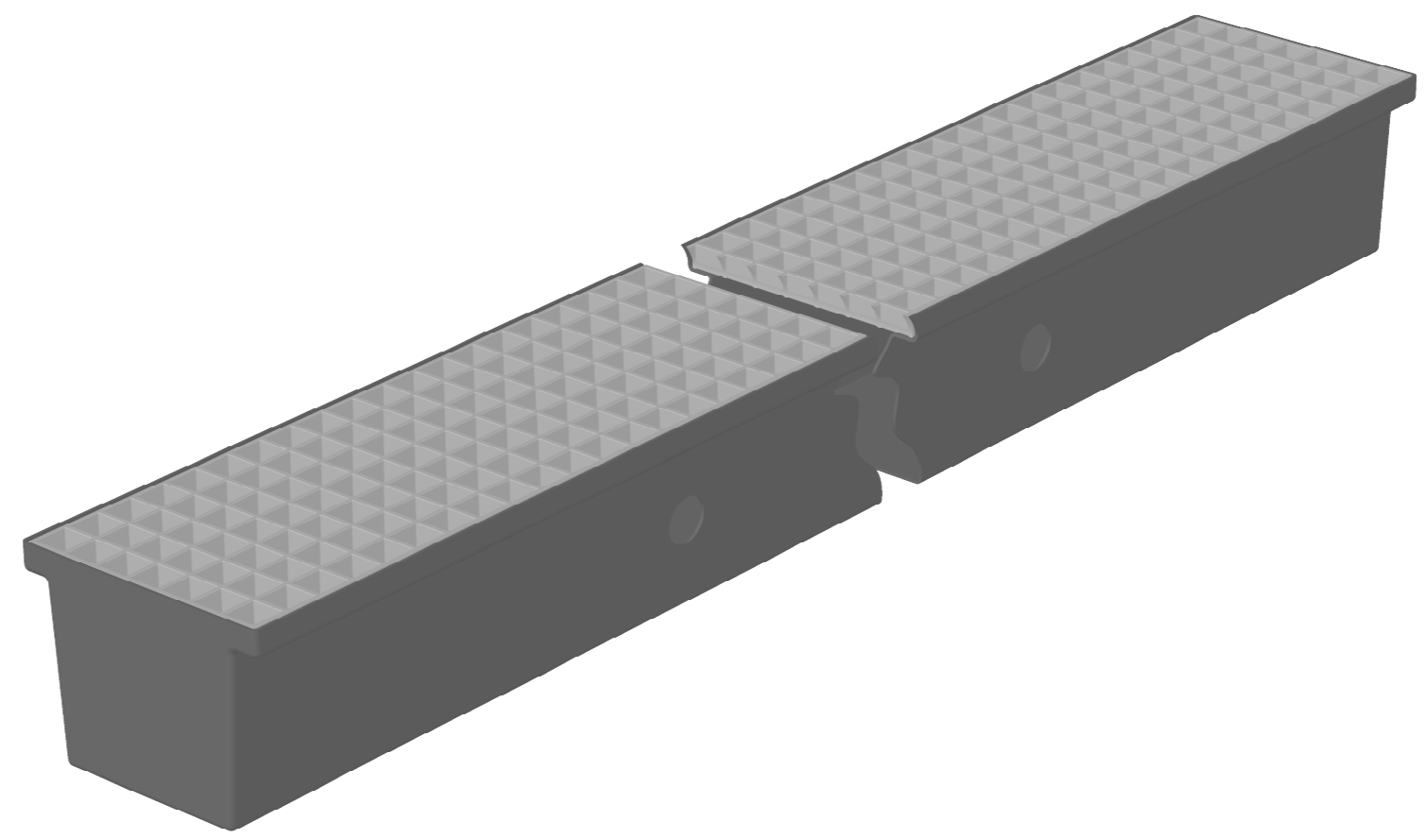
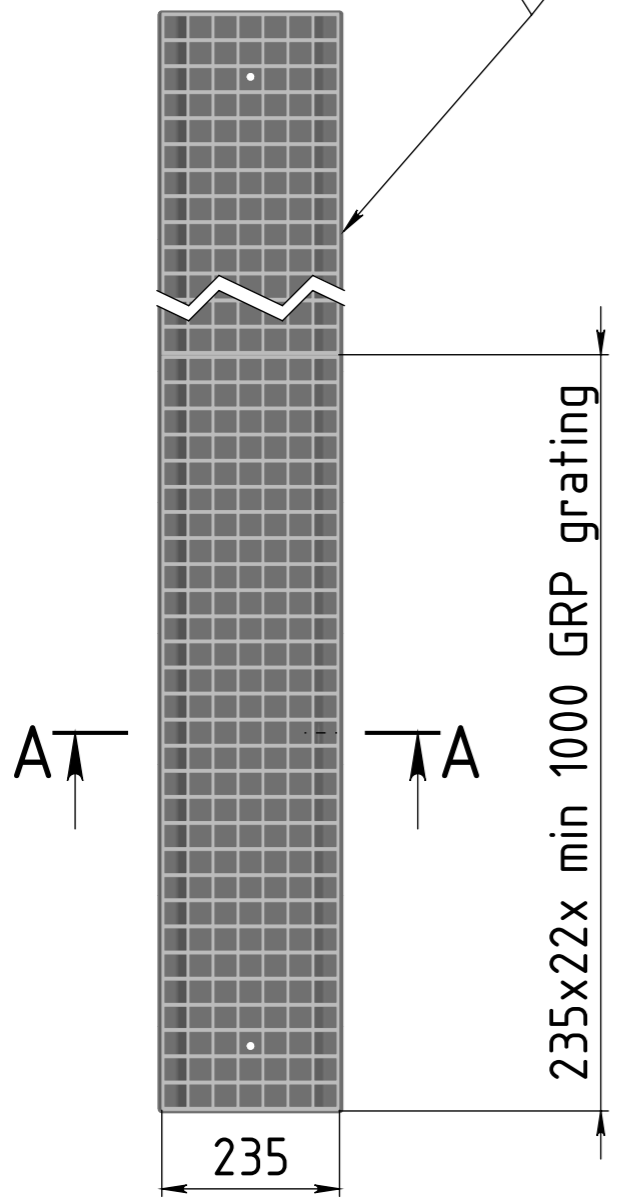
| Date | Changes |  SCAN-PLAST STRENGTH - FLEXIBILITY - DURABILITY | Scale | Date | Sign. | |
|------|---------|--|--|--------|------------------|----|
| A | | | Product: Foundation ventilation channel small 200x190x6000 | 1:10 | Draw. 14.01.2025 | SG |
| B | | | | | Check. | |
| C | | Appr. | | | | |
| D | | Replace: | N° W102.2-17-301L | | | |
| E | | Order Nr: | | Page 1 | Pages 1 | |
| F | | | | | | |
| G | | | | | | |




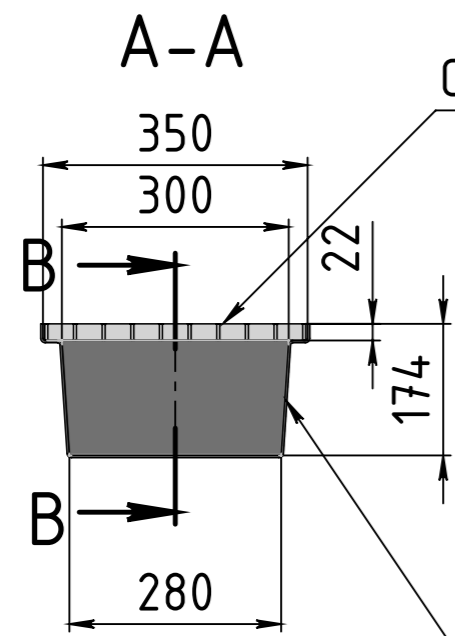
GRP grating 38x38x22



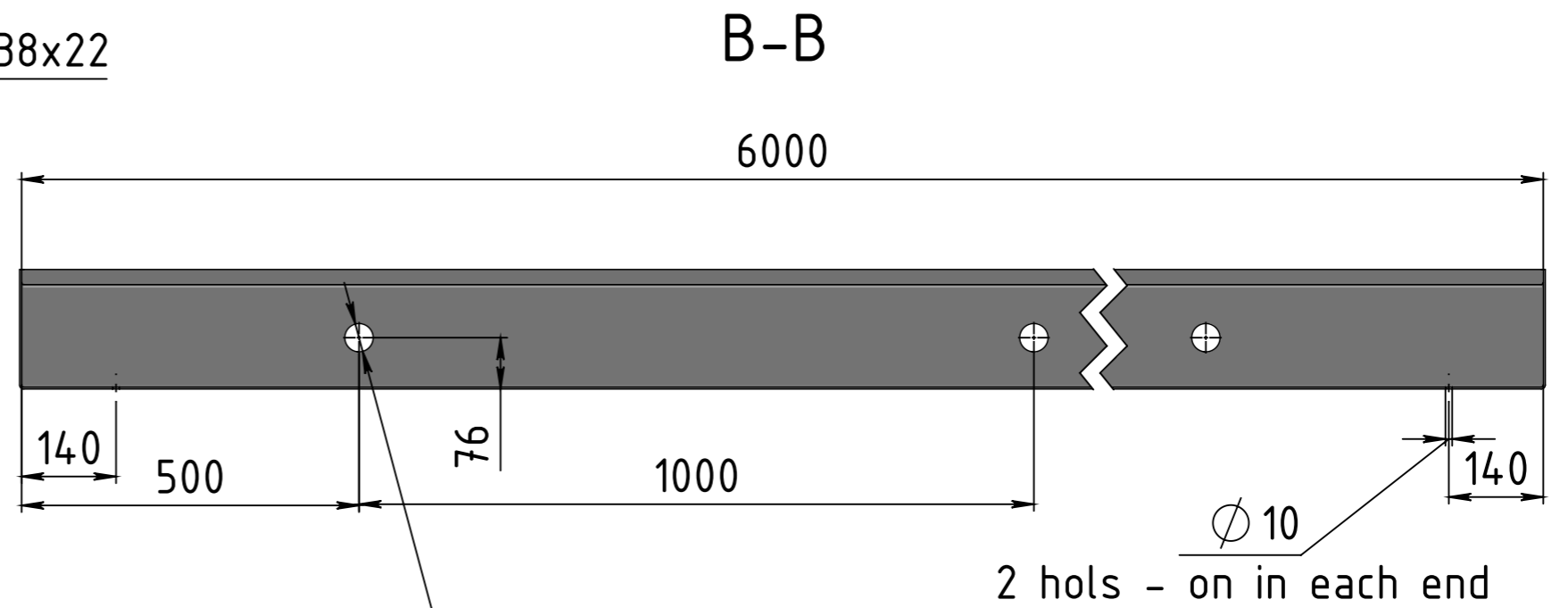
foundation side



| Date | Changes |  SCAN-PLAST STRENGTH - FLEXIBILITY - DURABILITY | Scale | Date | Sign. |
|------|---------|--|--|------|------------------|
| A | | | Product: Foundation ventilation channel medium 240x190x6000 | 1:10 | Draw. 14.01.2025 |
| B | | Check. | | | |
| C | | Appr. | | | |
| D | | Replace: | N° W102.2-17-101E | | |
| E | | Order Nr: | Page 1 | | |
| F | | | Pages 1 | | |
| G | | | | | |

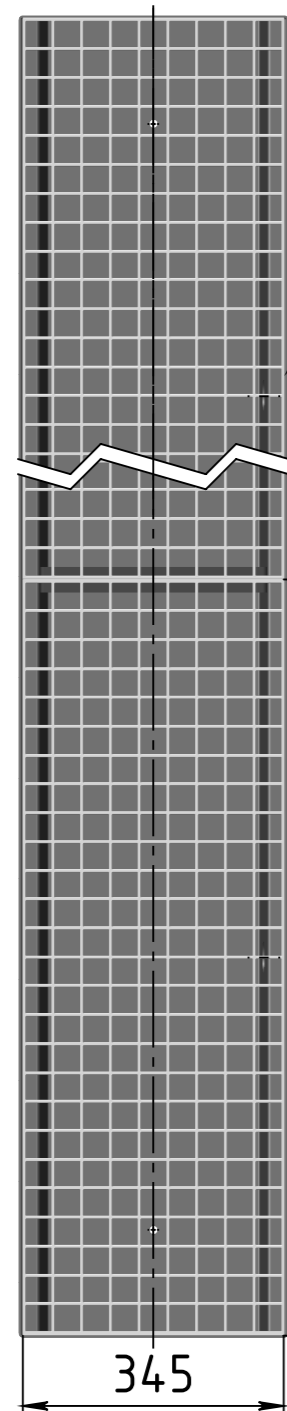


GRP grating 38x38x22



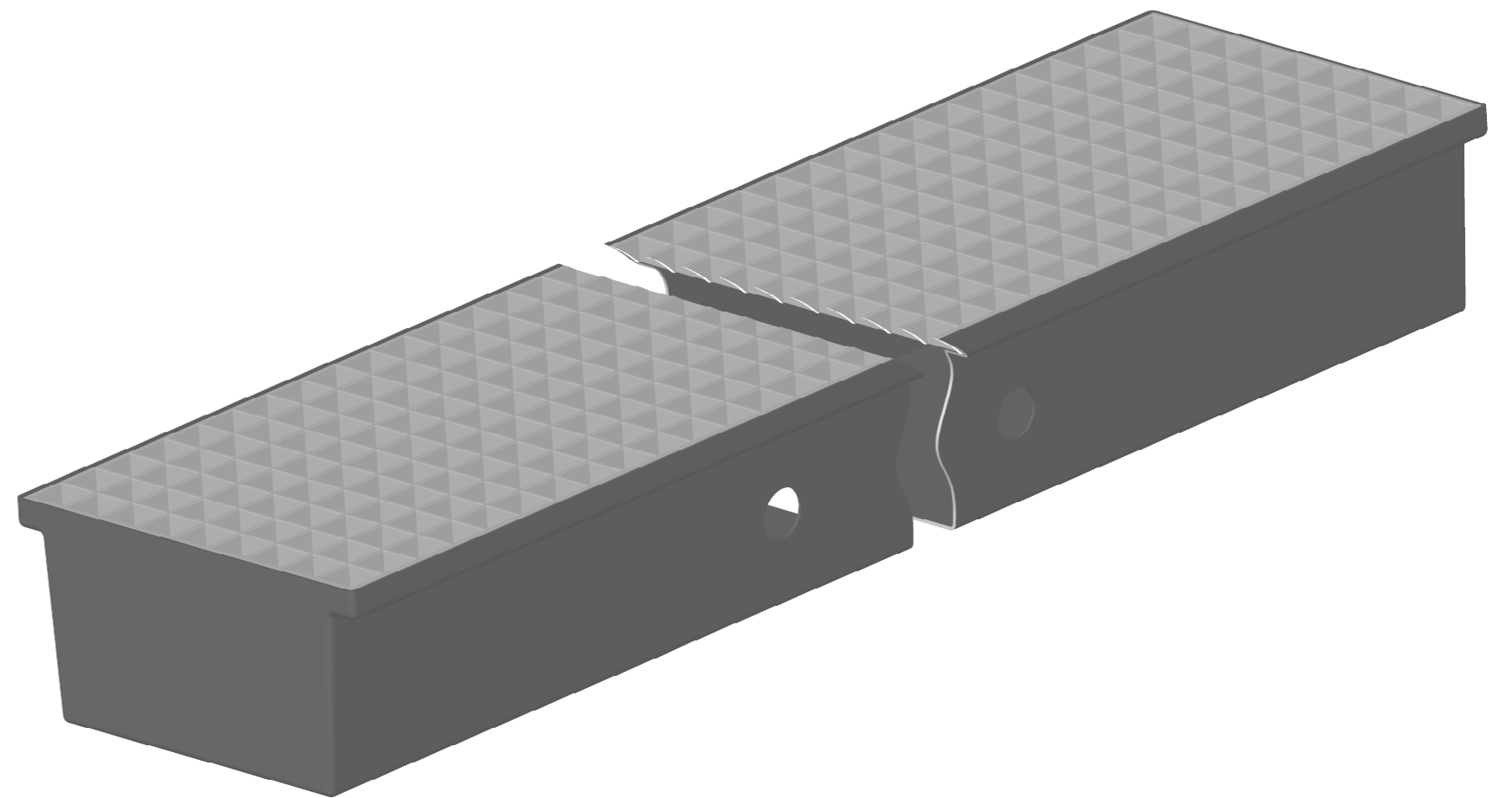
2 hols - on in each end

6 holes - foundation side



foundation side

345x22 x min 1000 GRP grating



A↑

↑A

| Date | Changes |
|------|---------|
| A | |
| B | |
| C | |
| D | |
| E | |
| F | |
| G | |



Product:
Foundation ventilation channel
large 350x190x6000

| Scale | Date | Sign. |
|-------|--------|---------------|
| 1:10 | Draw. | 14.01.2025 SG |
| | Check. | |
| | Appr. | |

Replace:
Nº W102.2-17-201E
Order Nr: